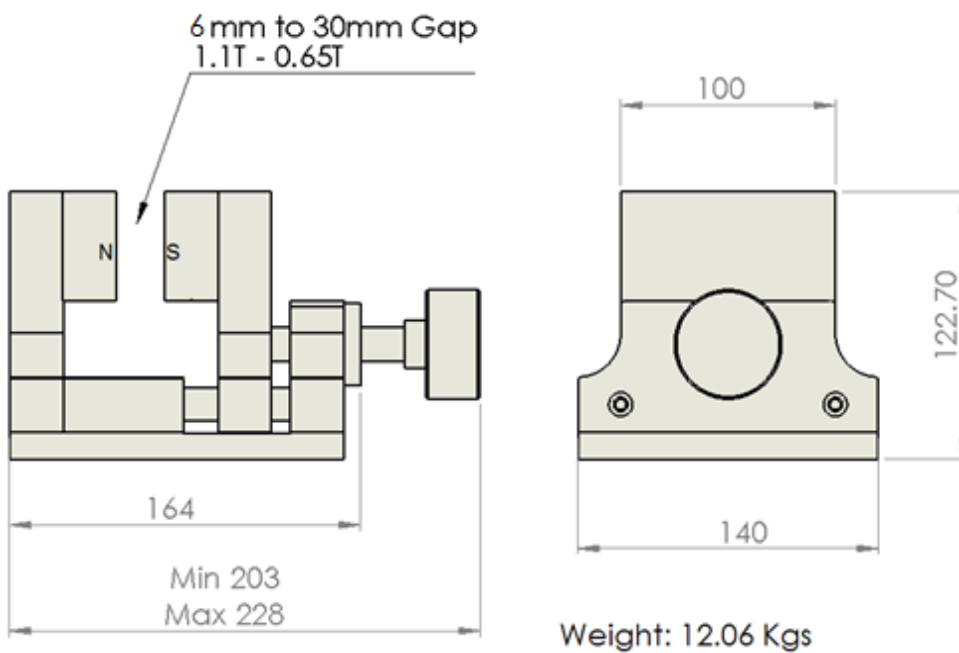




Laboratory Magnets – Adjustable Dipole

To meet the demands of our customers, Magnet Sales and Service Limited have developed an adjustable dipole assembly, providing a variable gap/strength ranging from 6-30mm and a field strength of 1.1T-0.65T.



Part: NIAS02225

Price: GB£3950.00

+ Carriage
+ VAT

